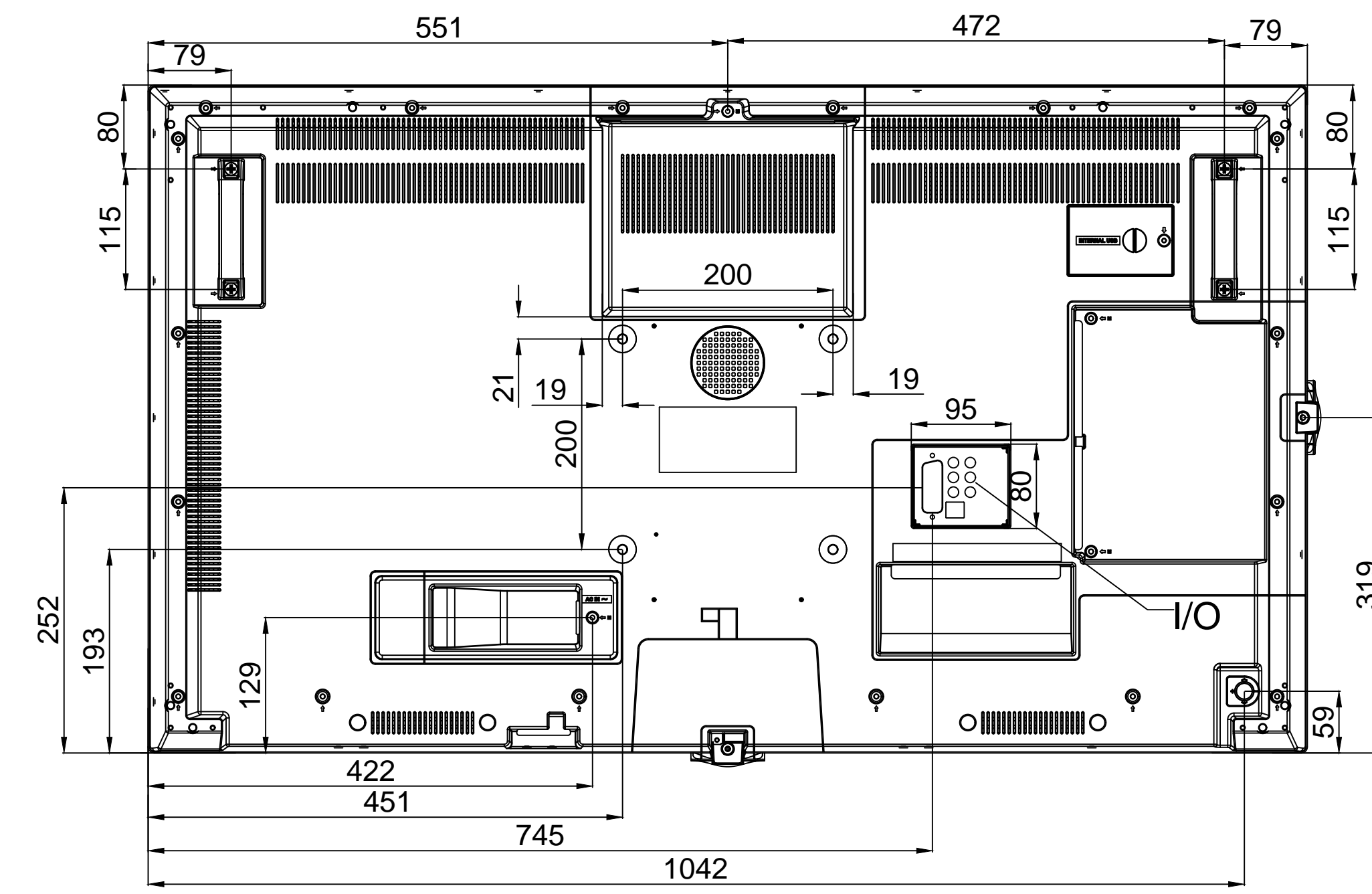
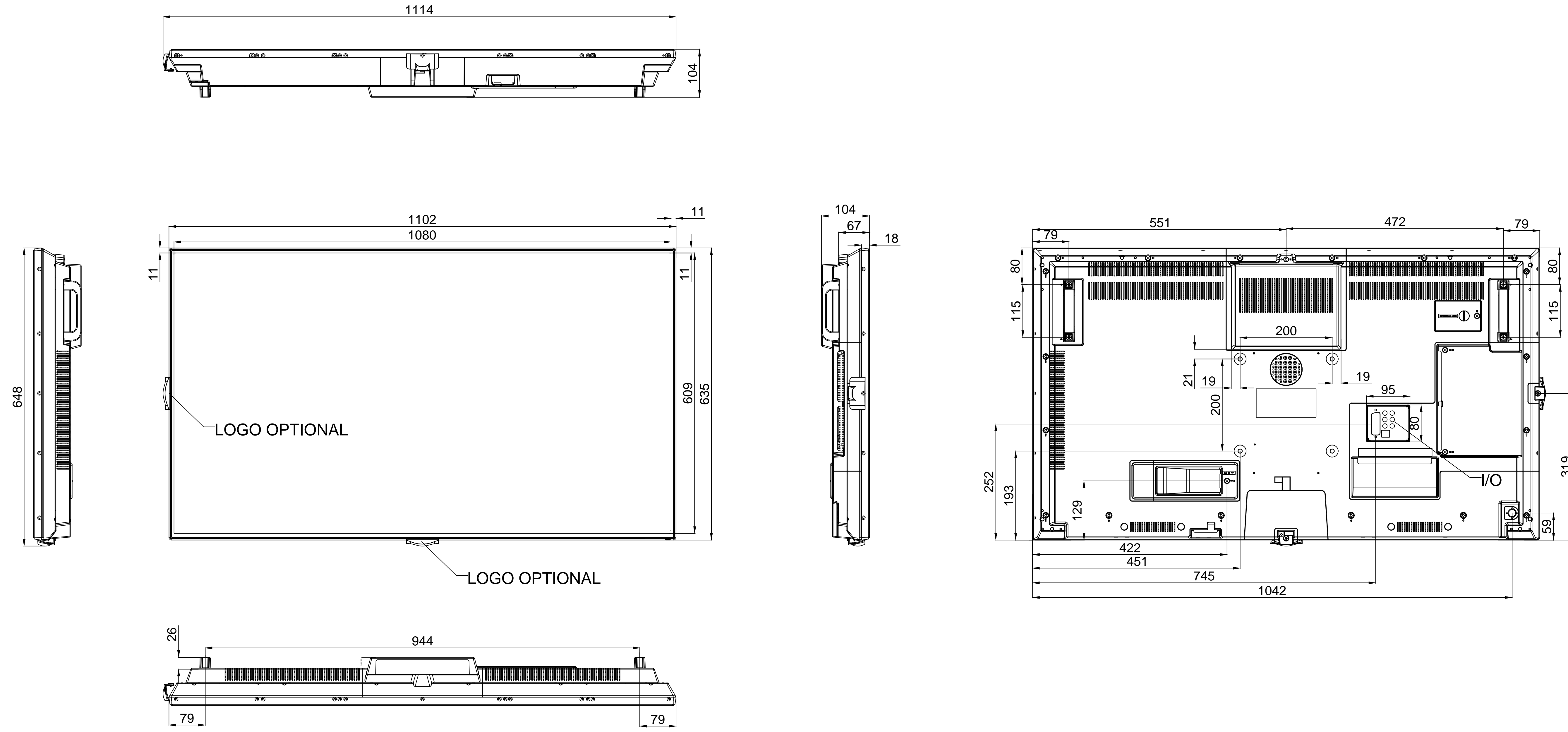


| REV.NO | DATE/TARİH | NOTES/AÇIKLAMALAR |
|--------|------------|-------------------|
| 1 | 04.10.2018 | FORMAT DÜZENLENDİ |
| 2 | | |
| 3 | | |



| MODEL | DIMENSIONS (mm) | | |
|-----------|-----------------|-------------|--------------|
| | WIDTH mm | DEPTH mm | HEIGHT mm |
| 49495 DS | 1102 | 104 | 635 |
| PRODUCT | 1102 | 104 | 635 |
| PACKAGING | 1215 | 165 | 775 |

ACTIVE CELL DIMENSIONS

| TOLERANCES | K | NAME: | REV: |
|-----------------|-------|---------------------------|------------------|
| 0.00/50.00 | ±0.10 | 49495 DS | R01 |
| 50.01/100.00 | ±0.30 | CREATED : HÜSEYİN ÇİFTÇİ | DATE: 04.10.2018 |
| 100.01/250.00 | ±0.50 | LAST REV. : NİHAT ÖZTEN | SHEET: 1 / 1 |
| 250.01/500.00 | ±0.75 | CHECK : Hakan KÖYUNCUOĞLU | SCALE : 1 |
| 500.01/1000.00 | ±1.00 | APPRV. : Deniz ÇETİNYÜREK | |
| 1000.01/2500.00 | ±1.50 | | |
| ANGLES | ±0.5° | | |

VESTEL ELECTRONICS / DIJITAL PRODUCTS OPERATIONS MANİSA/TURKIYE
 TEL:+90.236.2130660 FAX:+90.236.2130512