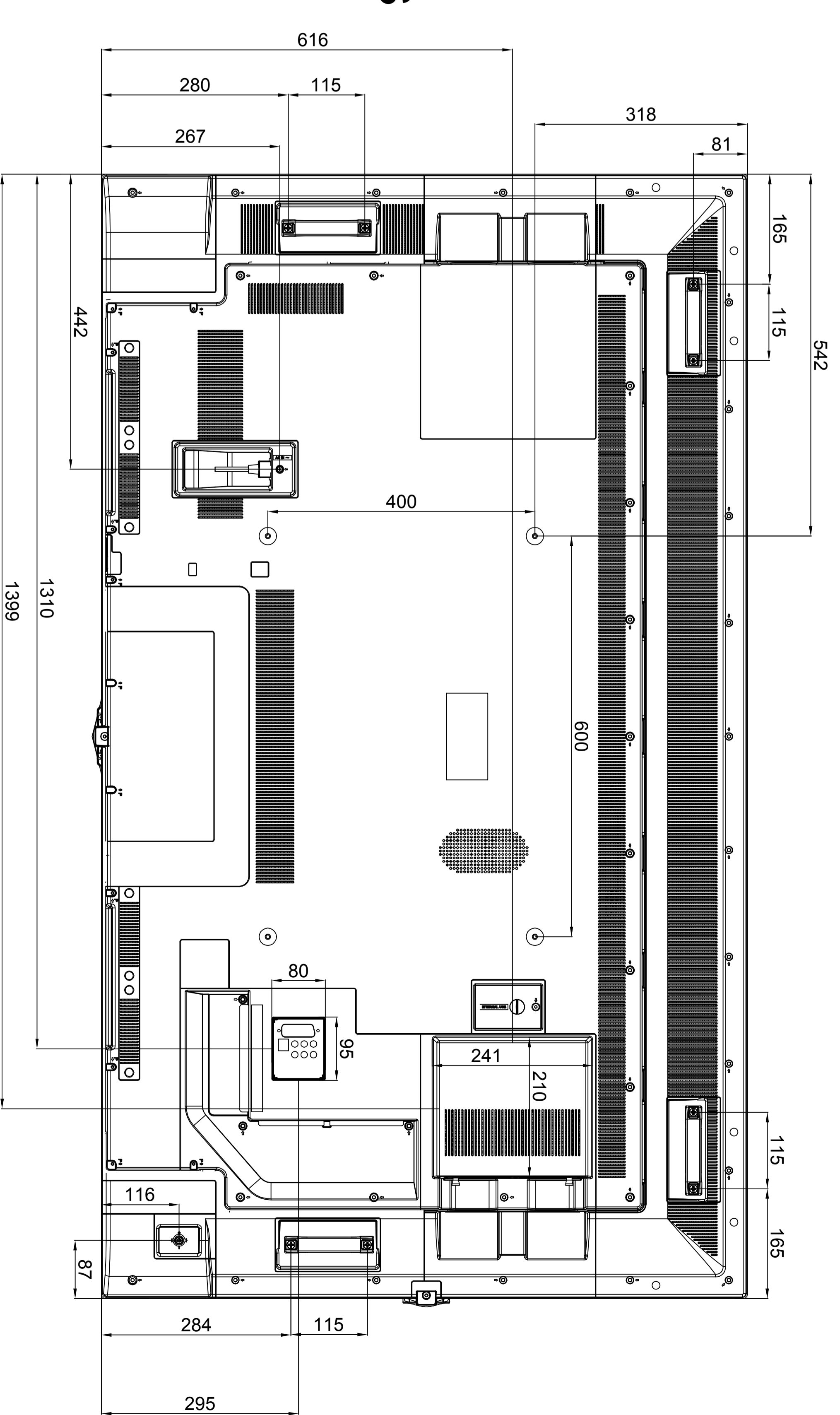
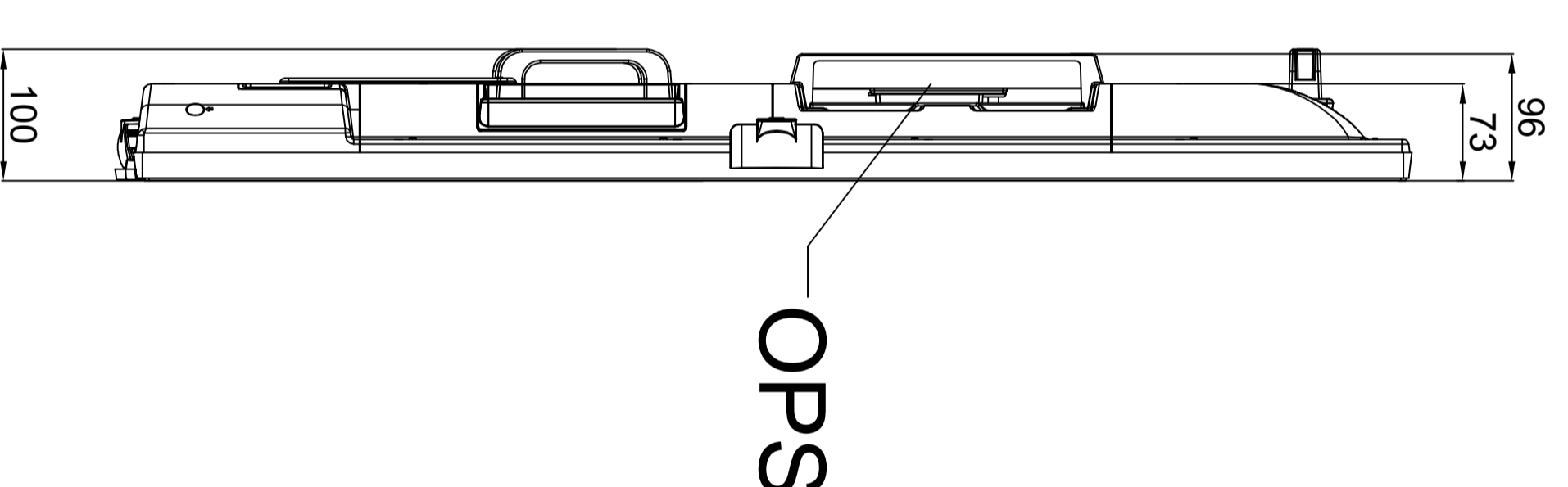
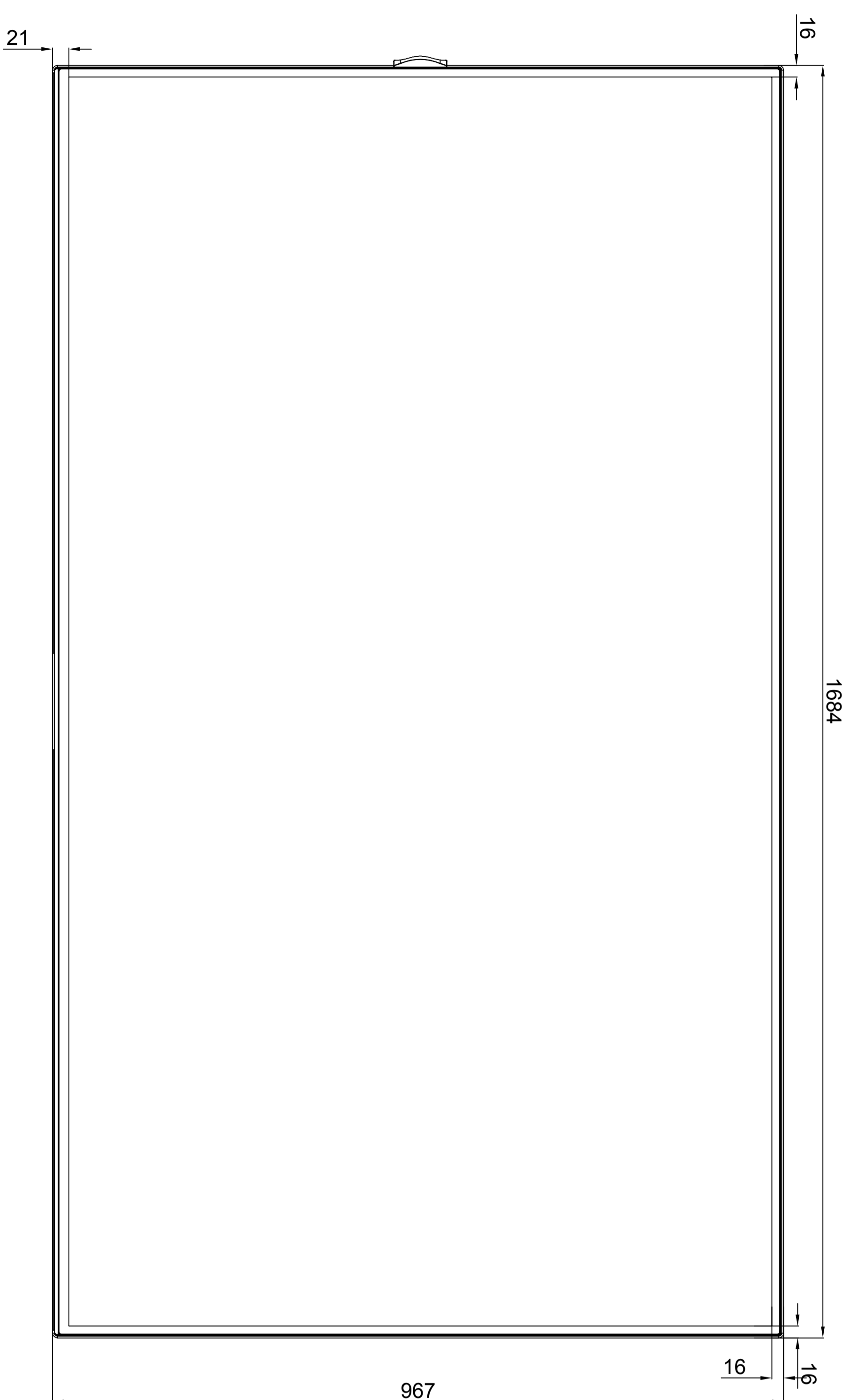


REVİNO.	DATE/TAHİR	NOTES/SAĞIRAN/AMAR
1	04.10.2018	FİRMAN T DÜZENLENENİ
2	15.10.2018	ÖRÜN DERİNLİK BİLGİSÜ DÜZENLENENİ
3	20.12.2018	VECSA KASE MESAİTESİ, OPS VE HANDLE BİLGİLERİ DÜZENLENENİ

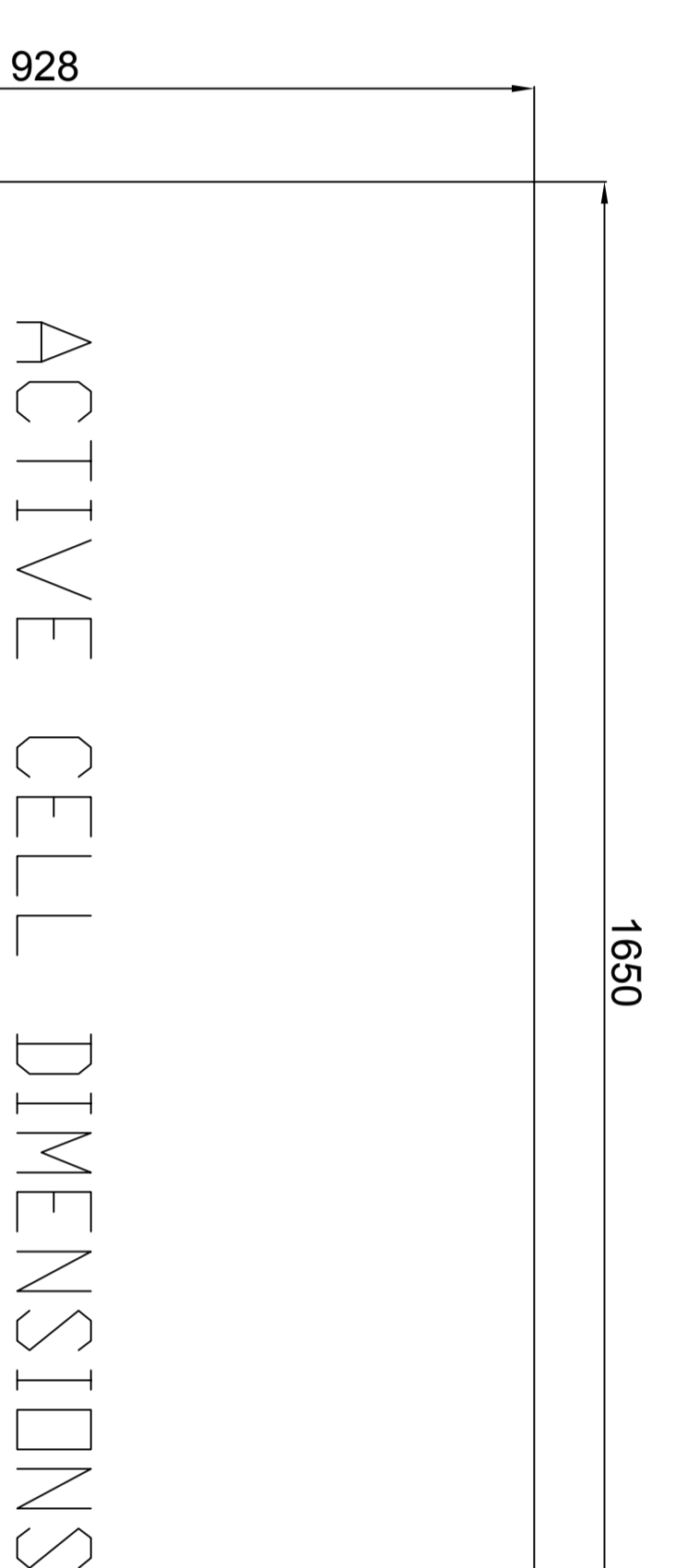


DIMENSIONS (mm)

WIDTH mm	DEPTH mm	HEIGHT mm
1684	100	967

PRODUCT	1684	100	967
---------	------	-----	-----

PACKAGING	1948	210	1170
-----------	------	-----	------



TOLERANCES	K	NAME:	REV:
0.00/50.00	±0.10	75495 DS	R03

CREATED : HOSEYİN ÇİFTÇİ DATE: 2012/2018

LAST REV. : CAN ÖLKER SHEET: 1 / 1

CHECK : HAKAN KOYUNCUOĞLU SCALE : 1

APPRV. : DENİZ ÇETİNYÜREK

UNIT mm

VESTEL VESTEL ELECTRONICS / DİJİTAL PRODUCTS OPERATIONS MANİSA/TÜRKİYE

TEL:+902362130660 FAX:+902362130512