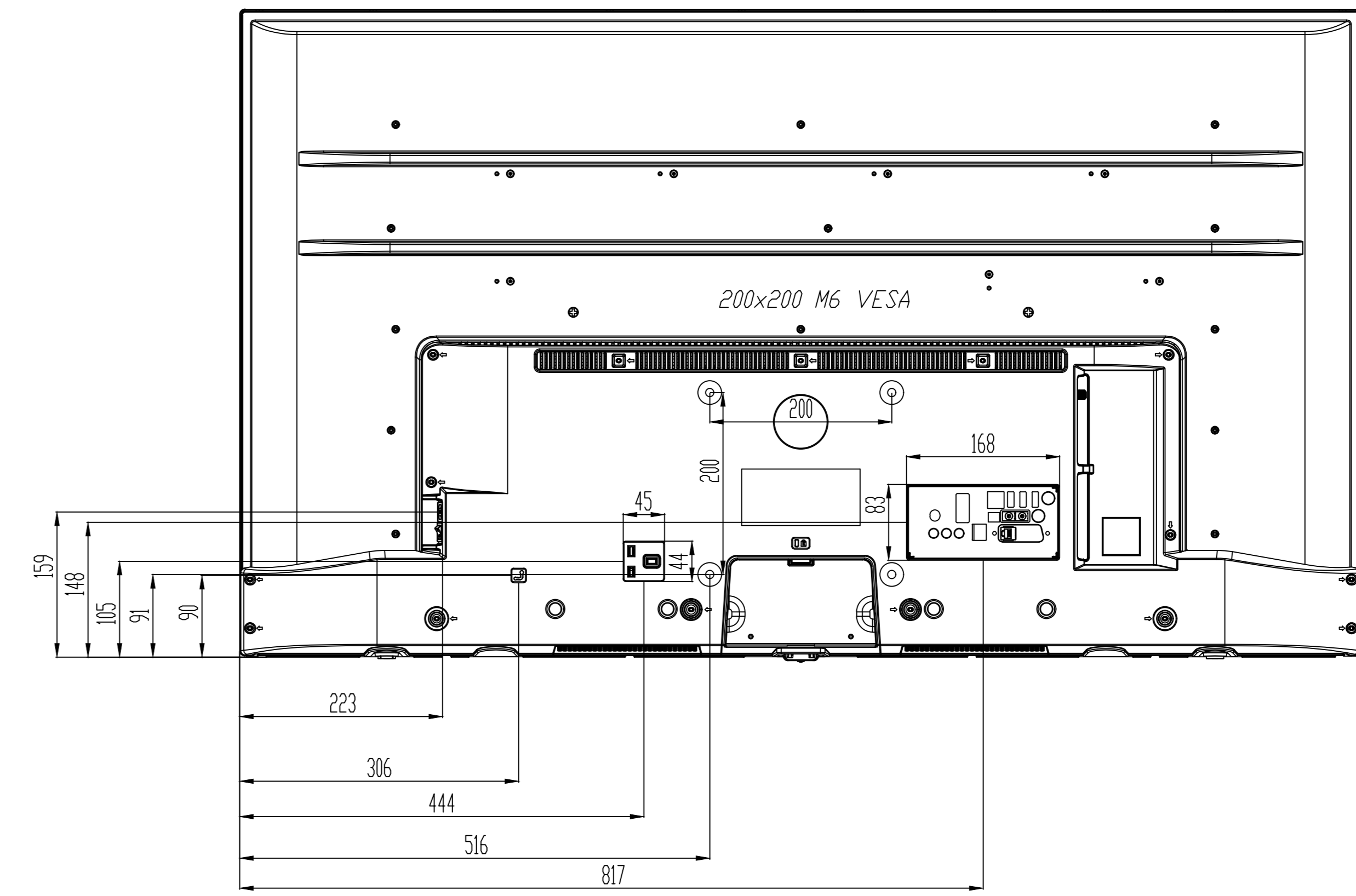
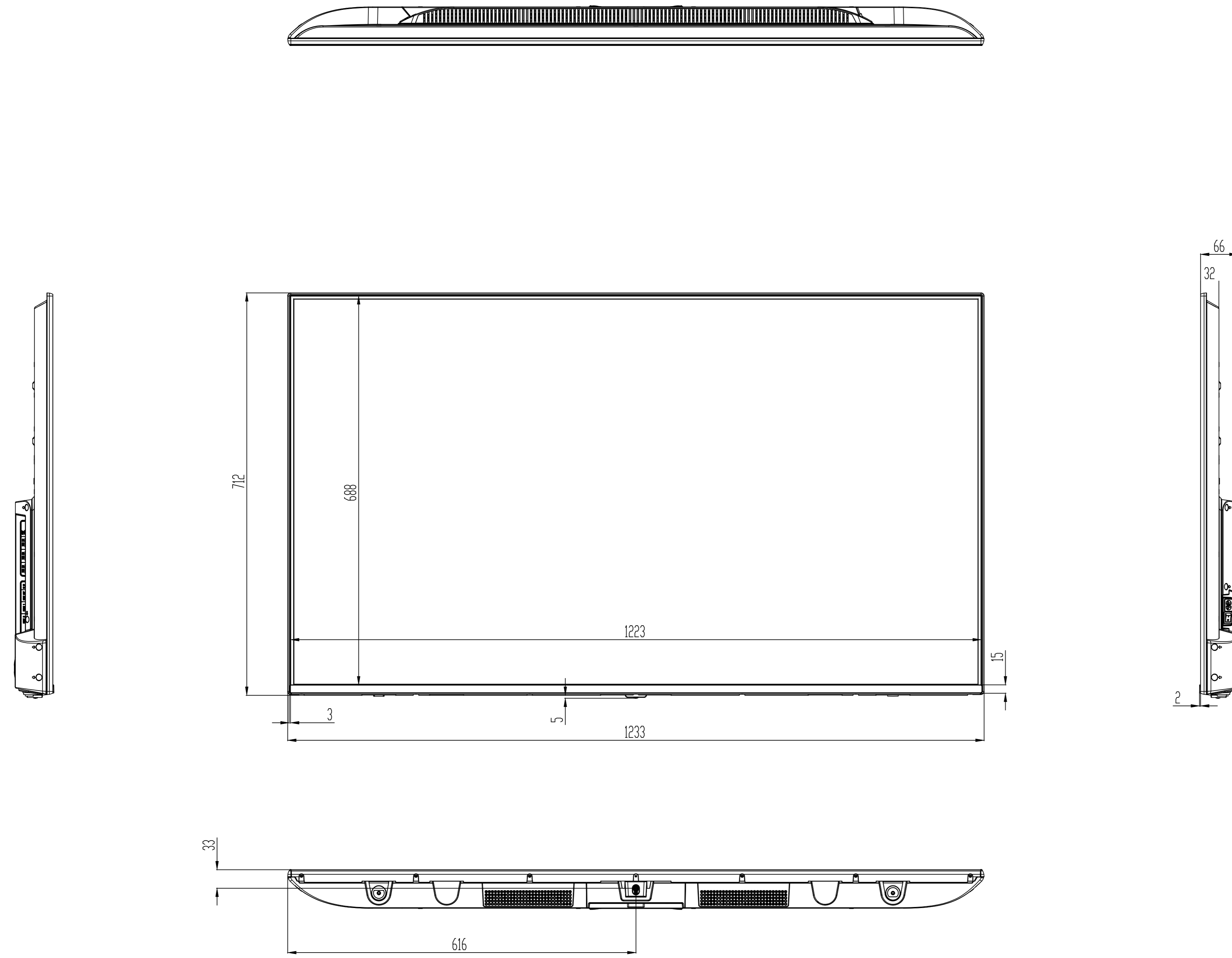


REV.NO	DATE/TARİH	NOTES/AÇIKLAMALAR
1	23.06.2023	ÇİZİM EKLENDİ.
2	17.01.2024	DLCU DÜZENLENDİ.
3	04.03.2024	DLCU EKLENDİ.
4		
5		



MODEL	DIMENSIONS (mm)		
	WIDTH mm	DEPTH mm	HEIGHT mm
55660 VS	1233	66	712
PRODUCT	1233	66	712
PACKAGING	1369	154	860

ACTIVE CELL DIMENSIONS

TOLERANCES	K	NAME:	REV:
0.00/50.00	±0.10	55660 DS	R03
50.01/100.00	±0.30	CREATED : OGUZ PEKÖZ	DATE: 04.03.2024
100.01/250.00	±0.50	LAST REV. :CAN SAHİN	SHEET: 1 / 1
250.01/500.00	±0.75	CHECK : HAKAN KÖYUNCUOĞLU	SCALE : 1
500.01/1000.00	±1.00	APPRV. : DENİZ ÇETİNYÜREK	UNIT mm
1000.01/2500.00	±1.50		
ANGLES	±0.5°	VESTEL ELECTRONICS / DİJİTAL PRODUCTS OPERATIONS MANİSA/TURKİYE TEL:+90.236.2130660 FAX:+90.236.2130512	